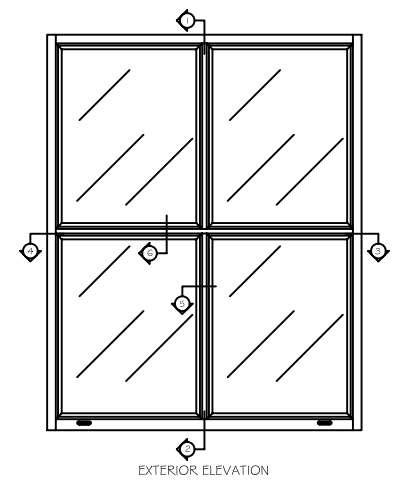


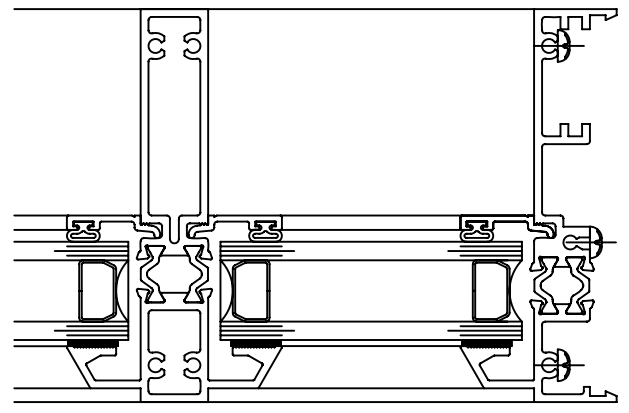
1 7200 FIXED @ HEAD



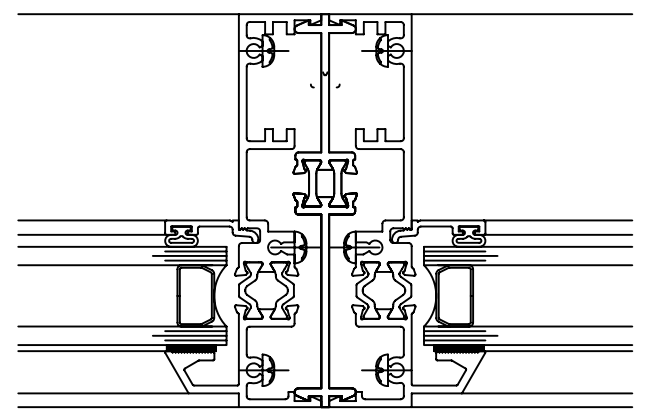
EXTERIOR ELEVATION

3 7200 FIXED @ JAMB (OPP. TYP.)

5 7200 FIXED @ INT. MULLION (HORIZ.)



6 7200 FIXED @ INT. MULLION (VERT.)



7 7200 FIXED @ SNAP MULLION (VERT.)

2 7200 FIXED @ SILL

7200 AW-105 FIXED WINDOW WITH INTEGRAL MULLIONS

DATE 4-29-10	DWG NO. G-4	STATUS FINAL
SCALE 1/2		