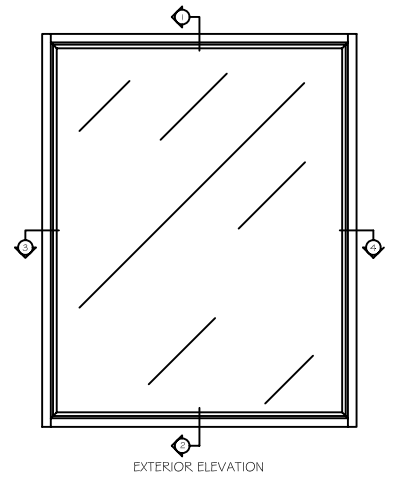
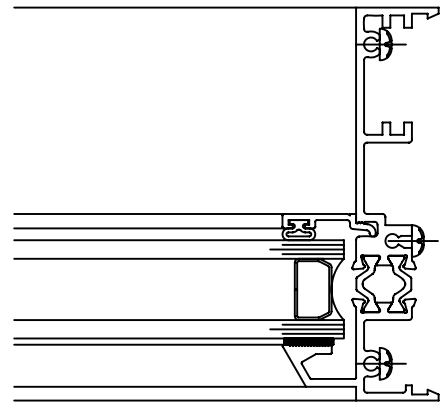


① 7200 FIXED @
HEAD



EXTERIOR ELEVATION

④ 7200 FIXED @
JAMB (OPP. TYP.#3)



② 7200 FIXED @
SILL

7200 AW-105 4" FIXED WINDOW		
DATE 4-29-10	DWG NO. G-3	
SCALE 1/2		STATUS FINAL