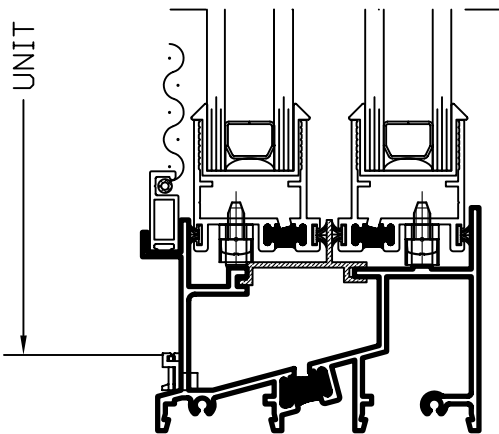
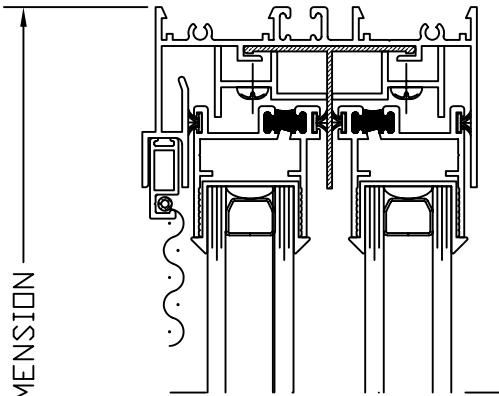
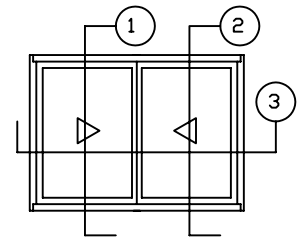
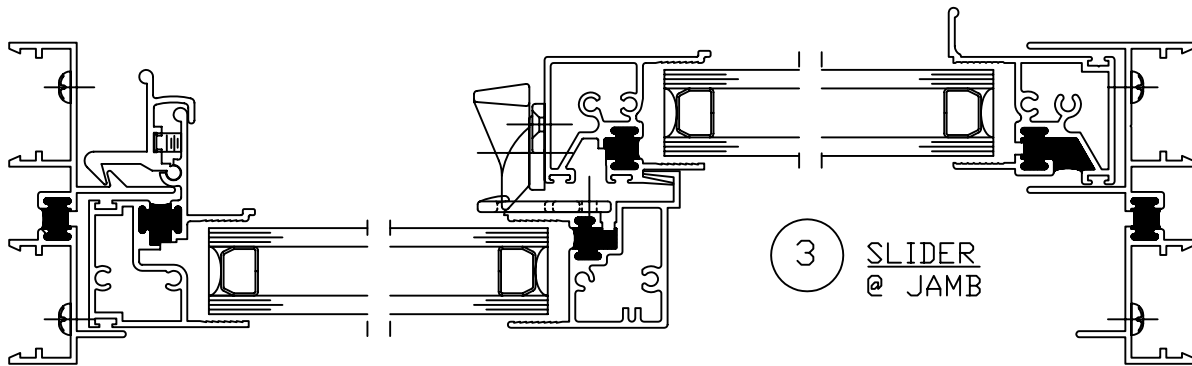


H.C. SLIDER 8301 VIEW KEY

1 2 SLIDER @ HEAD



1 2 SLIDER @ SILL



3 SLIDER @ JAMB

UNIT DIMENSION

8301 H.C. SLIDER

COPYRIGHT 2003



DRAWING FOR FAMILIARIZATION ONLY, ACTUAL DETAIL MAY VARY

DATE 10-21-06		DWG NO. C-4		REV
SCALE 1/2	STATUS FINAL			