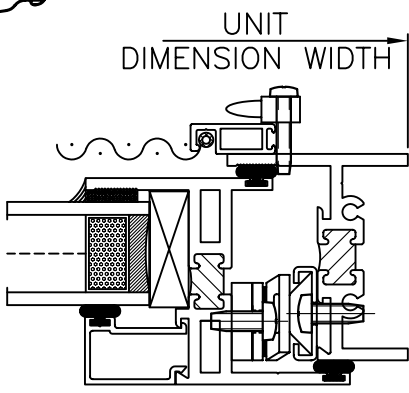
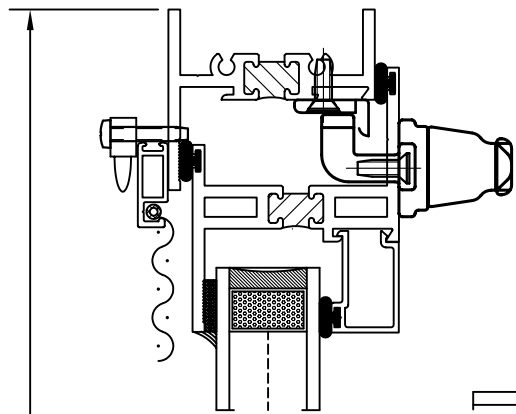
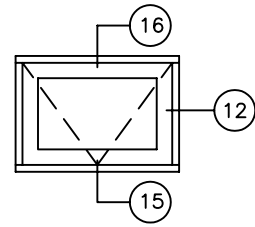
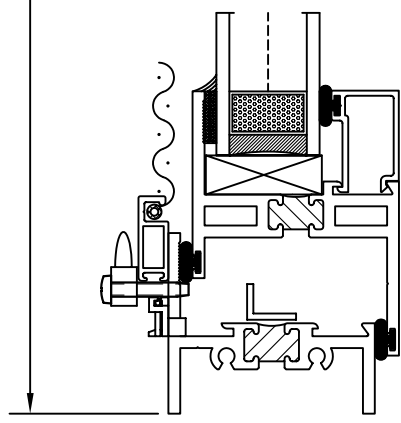


PROJECTED WINDOW 9400 VIEW KEY

16 PROJECT IN @ HEAD



12 PROJECT IN @ JAMB



15 PROJECT IN @ SILL

PROJECT IN AT HEAD			
SIZE	FSCM NO.		REV A
SCALE	1/2		SHEET A-7



DRAWING FOR FAMILIARIZATION ONLY, ACTUAL DETAIL MAY VARY