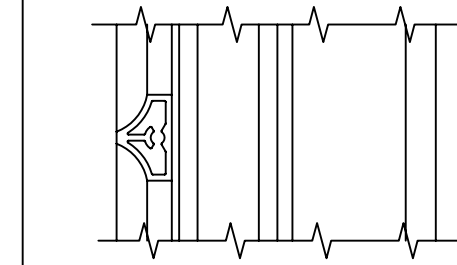
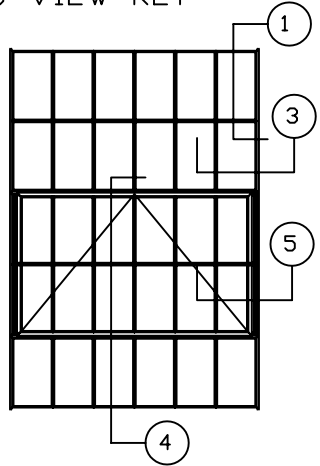
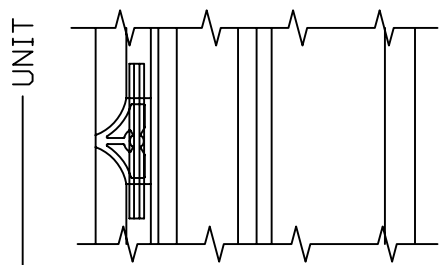
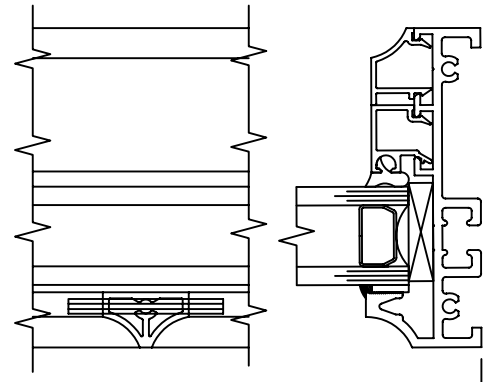
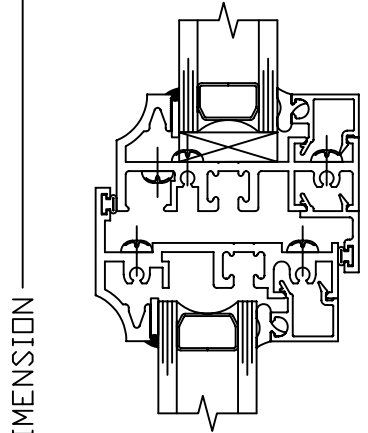


1 SRW SERIES 8000 @ HEAD

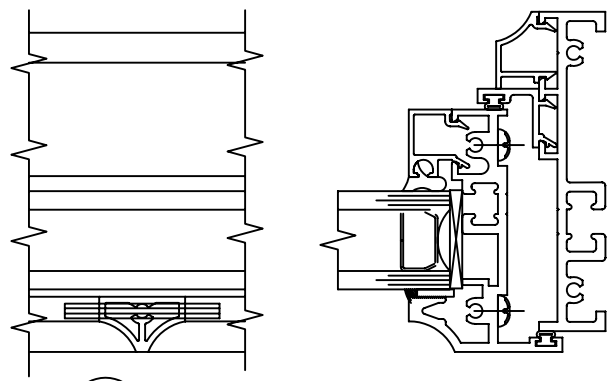
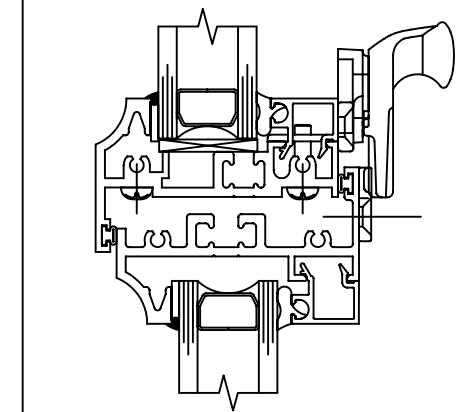
STEEL REPLICA SERIES 800 VIEW KEY



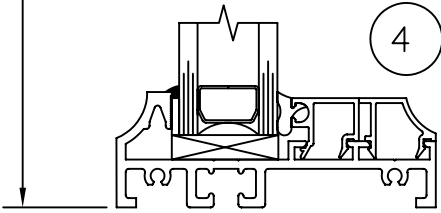
FIXED OVER VENT OVER FIXED SHEET G-4



3 SRW SERIES 8000 @ JAMB



5 SRW SERIES 8000 @ JAMB



4 SRW SERIES 8000 @ SILL

UNIT DIMENSION

UNIT DIMENSION

### 8000 STEEL REPLICA FIXED OVER VENT OVER FIXED

DATE 06-25-07	DWG NO. G-4	REV A
SCALE 1/2	STATUS FINAL	



DRAWING FOR FAMILIARIZATION ONLY, ACTUAL DETAIL MAY VARY