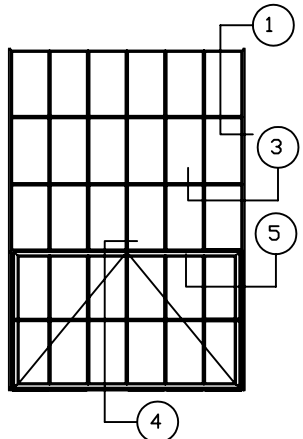
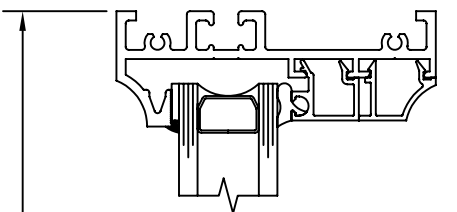
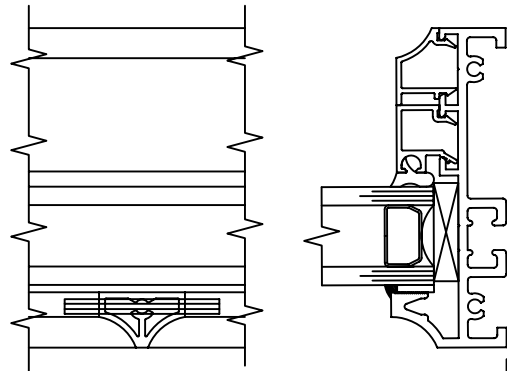
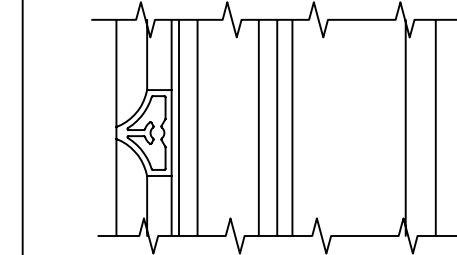


STEEL REPLICA SERIES
800 VIEW KEY

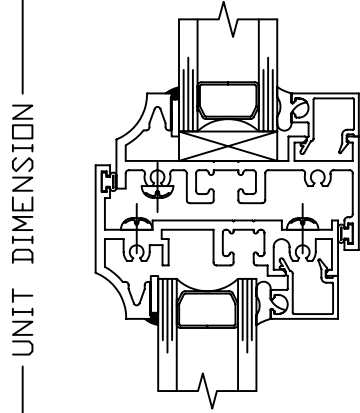
1 SRW SERIES 8000
@ HEAD



4
FIXED OVER VENT @ SILL
SHEET G-2

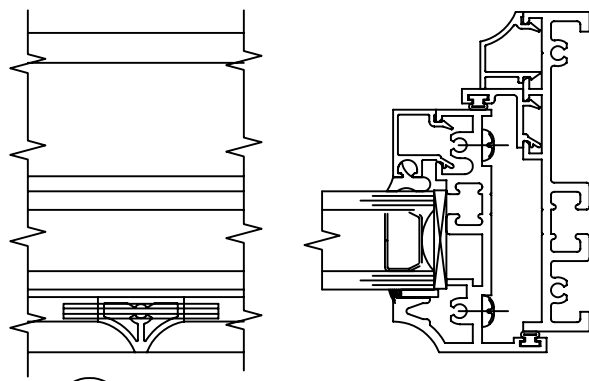
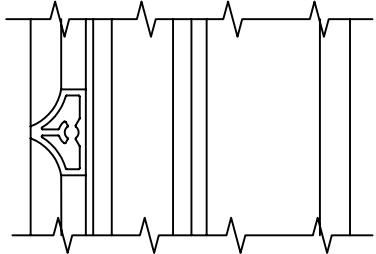


UNIT DIMENSION



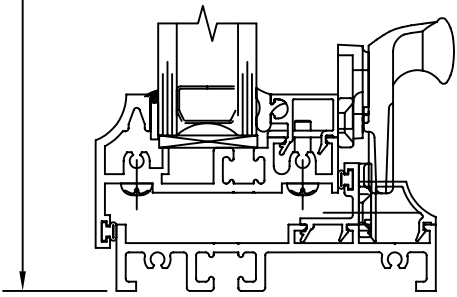
3 SRW SERIES 8000
@ JAMB

UNIT DIMENSION



5 SRW SERIES 8000
@ JAMB

4 SRW SERIES 8000
@ SILL



8000 STEEL REPLICA
FIXED OVER VENT @ SILL



DRAWING FOR FAMILIARIZATION ONLY, ACTUAL DETAIL MAY VARY

DATE 06-25-07	DWG NO. G-2	REV A
SCALE 1/2	STATUS FINAL	