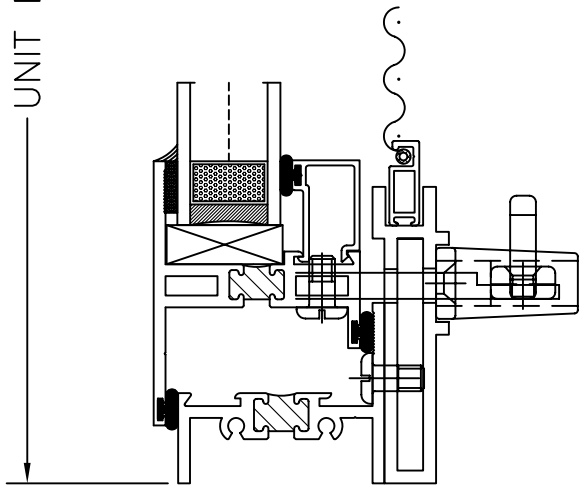
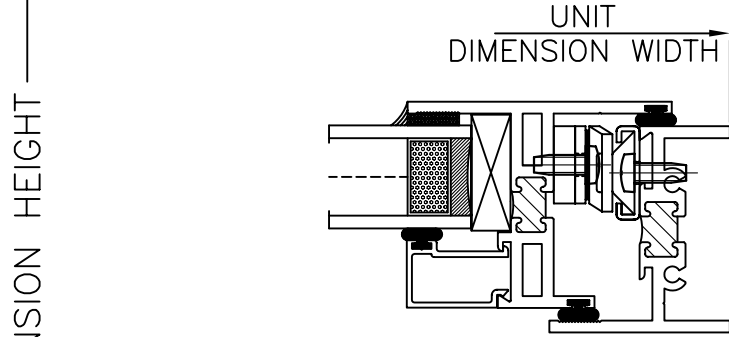
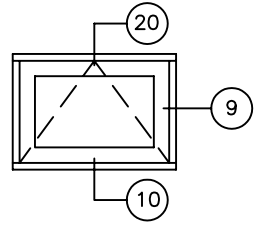
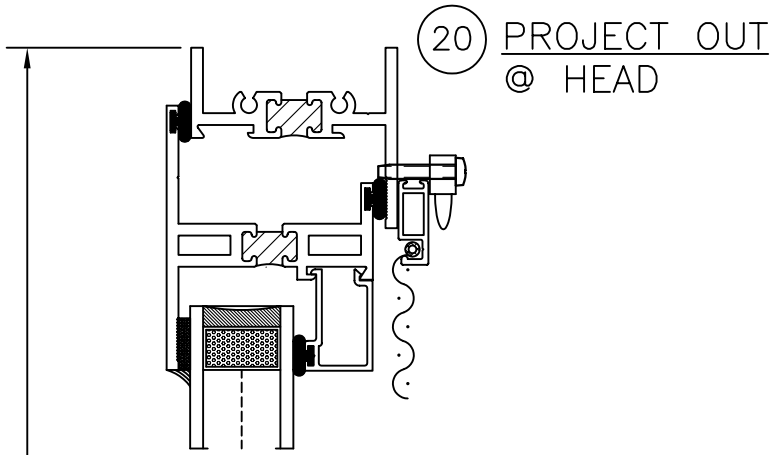


PROJECTED WINDOW 9600 VIEW KEY



PROJECT OUT AT SILL			
SIZE	FSCM NO.		REV
SCALE	1/2		SHEET A-6-A



DRAWING FOR FAMILIARIZATION ONLY, ACTUAL DETAIL MAY VARY