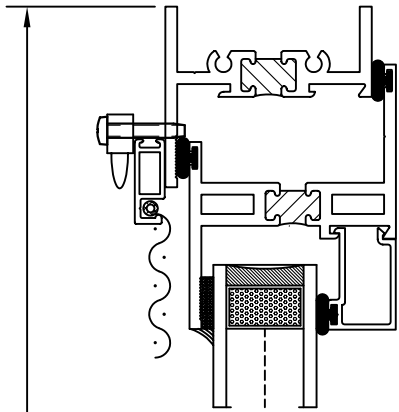
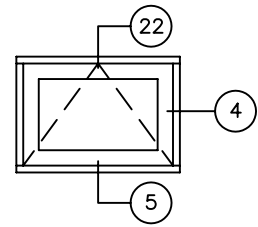


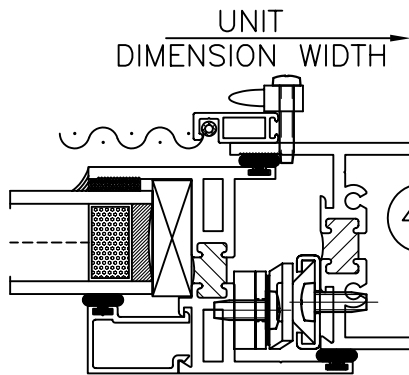
PROJECTED WINDOW 9400 VIEW KEY



22 PROJECT IN @ HEAD

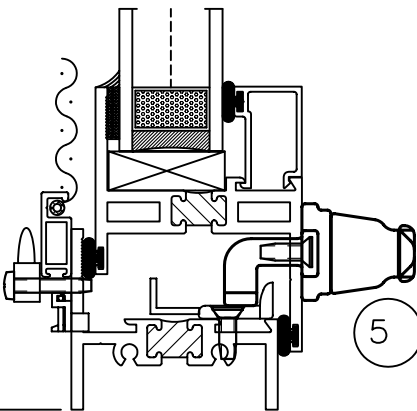


UNIT DIMENSION HEIGHT



4 PROJECT IN @ JAMB

UNIT DIMENSION WIDTH



5 PROJECT IN @ SILL

PROJECT IN AT SILL

SIZE	FSCM NO.		REV A
SCALE	1/2	SHEET	A-5



DRAWING FOR FAMILIARIZATION ONLY, ACTUAL DETAIL MAY VARY