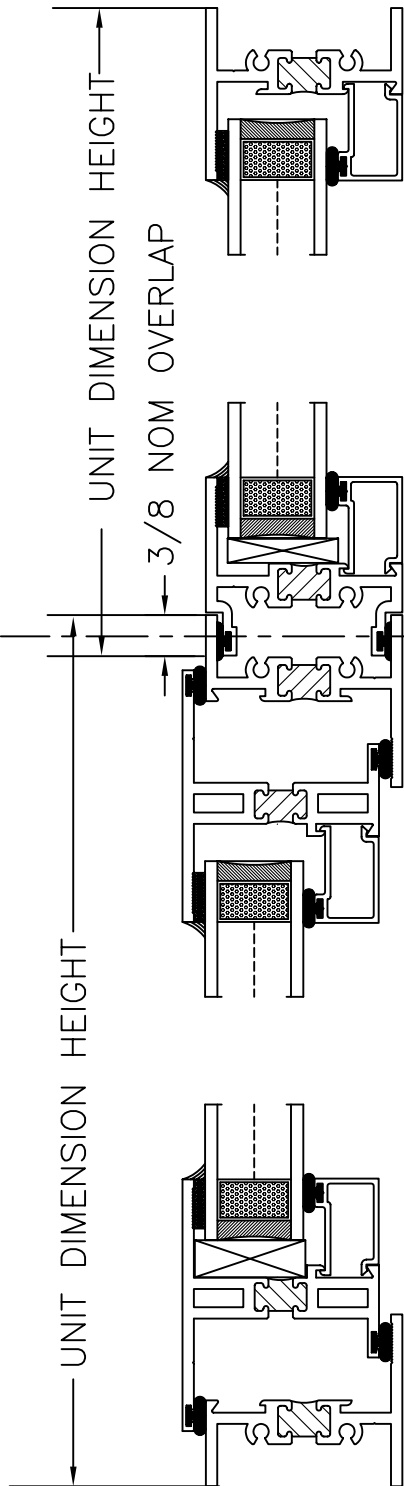
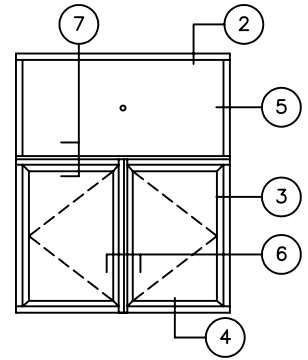


# PROJECTED WINDOW 9400 VIEW KEY

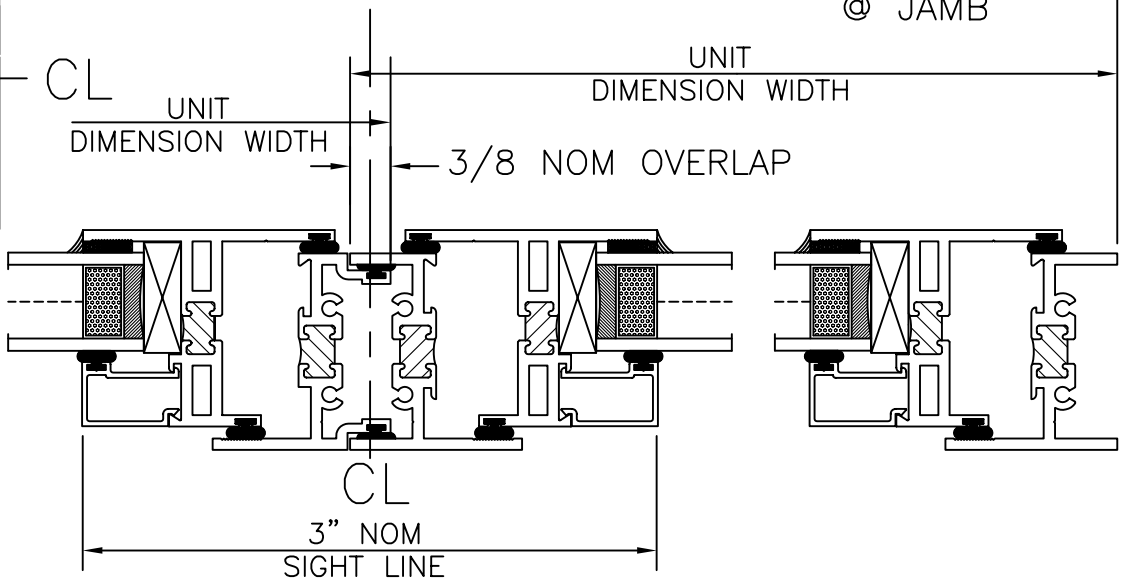
NOTES:  
 1. SCREEN OMITTED FOR CLARITY  
 2. HARDWARE OMITTED FOR CLARITY



2 FIXED OVER CASEMENT  
 @ HEAD

7 FIXED OVER CASEMENT  
 @ STACK MULLION

5 FIXED OVER CASEMENT  
 @ JAMB



6 CASEMENT MULTI VENT  
 @ STACK MULLION

3 CASEMENT  
 @ JAMB

4 CASEMENT  
 @ SILL

FIXED OVER MULTI VENT CASEMENT AT STACK MULLION			
SIZE	FSCM NO.	DWG NO.	REV A
SCALE	1/2	SHEET	B-3



DRAWING FOR FAMILIARIZATION ONLY, ACTUAL DETAIL MAY VARY