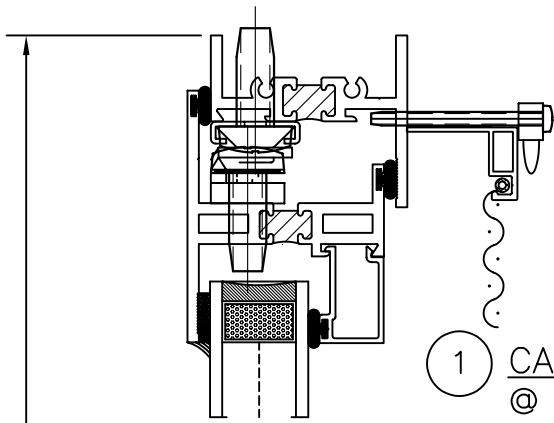
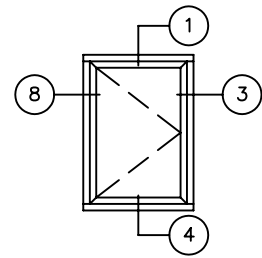


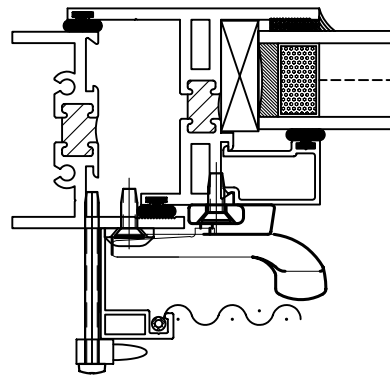
PROJECTED WINDOW 9400 VIEW KEY



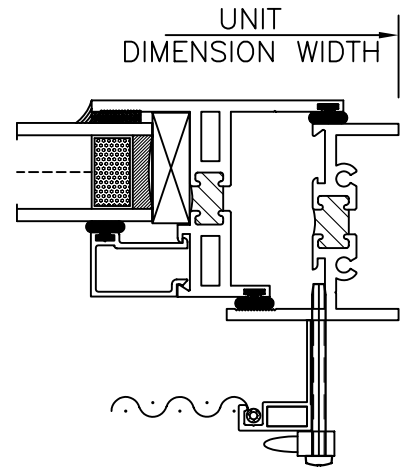
1 CASEMENT @ HEAD



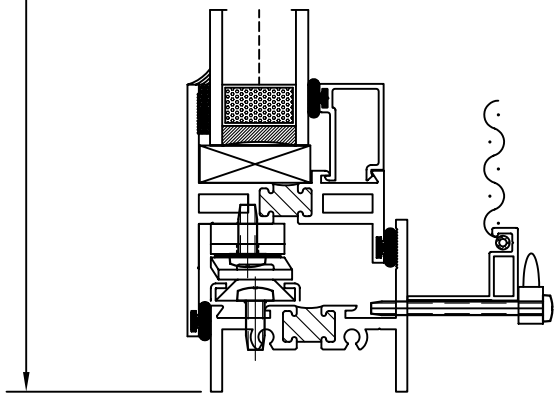
UNIT DIMENSION HEIGHT



8 CASEMENT @ LOCKING JAMB



3 CASEMENT @ JAMB



3 CASEMENT @ SILL

CASEMENT AT SINGLE VENT MANUAL OPERATION			
SIZE	FSCM NO.	DWG NO.	REV A
SCALE	1/2	SHEET	B-1



DRAWING FOR FAMILIARIZATION ONLY, ACTUAL DETAIL MAY VARY