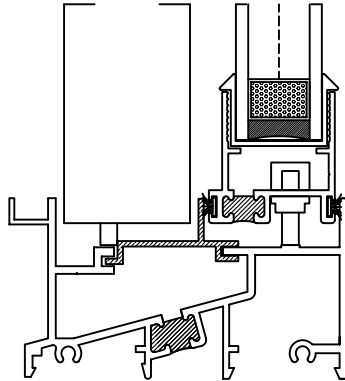
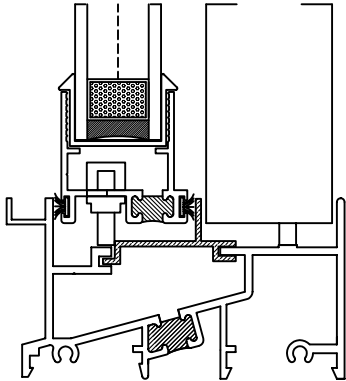
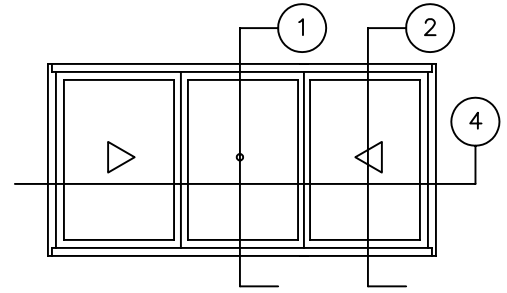
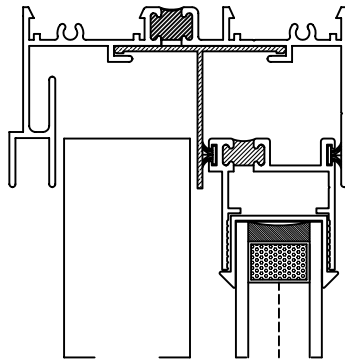
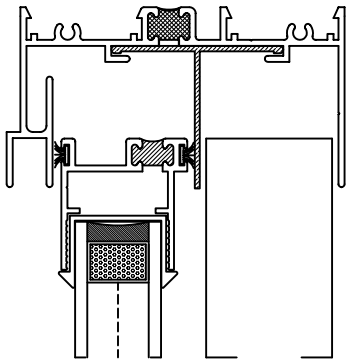
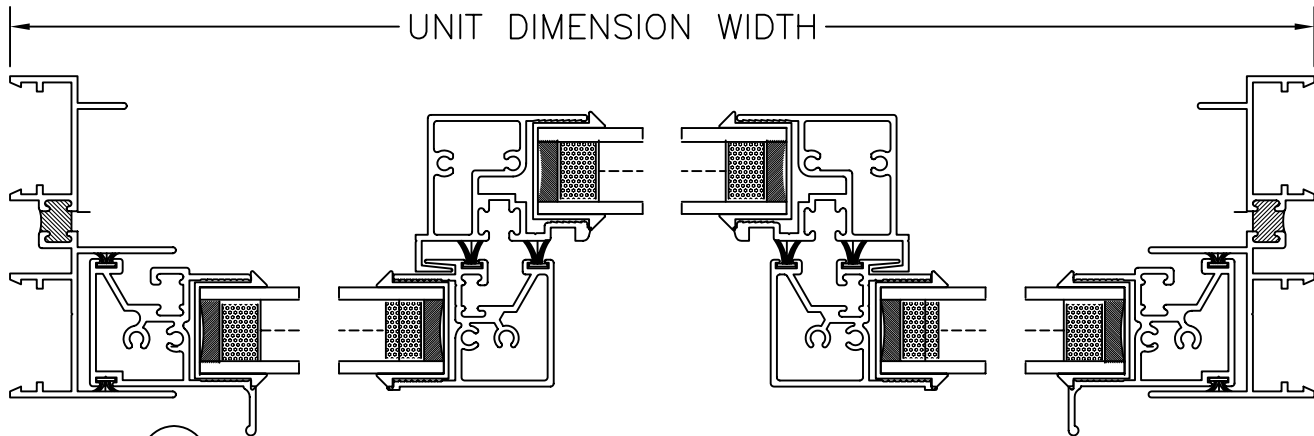


SLIDER WINDOW 8300 VIEW KEY



1 SLIDER WINDOW @ VERTICAL SECTION

2 SLIDER WINDOW @ VERTICAL SECTION



3 SLIDER WINDOW @ HORIZONTAL SECTION

NOTES:
 1.SCREEN OMITTED FOR CLARITY
 2.SOME HARDWARE OMITTED FOR CLARITY

COPYRIGHT 2003



DRAWING FOR FAMILIARIZATION ONLY, ACTUAL DETAIL MAY VARY

SLIDER WINDOW AT THREE LIGHT		
DATE 06-29-04	DWG NO. C-2	REV A
SCALE 1/2	STATUS FINAL	