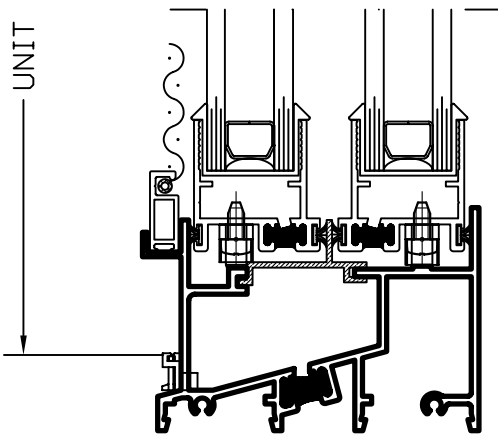
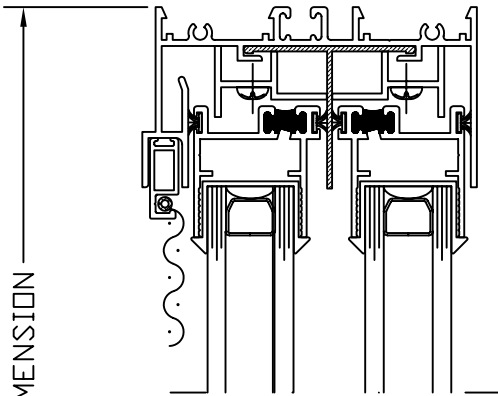
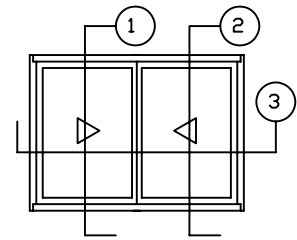
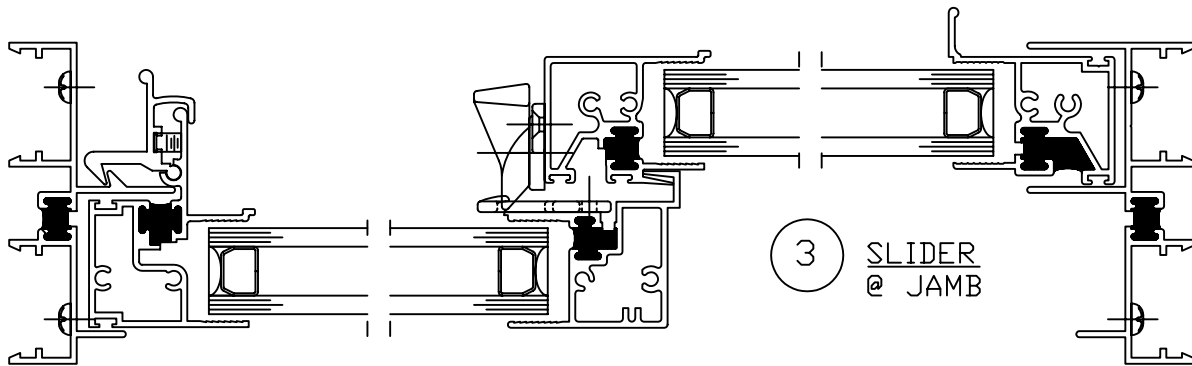


H.C. SLIDER 8301 VIEW KEY

1 2 SLIDER @ HEAD



1 2 SLIDER @ SILL



3 SLIDER @ JAMB

UNIT DIMENSION

COPYRIGHT 2003



DRAWING FOR FAMILIARIZATION ONLY, ACTUAL DETAIL MAY VARY

8301 H.C. SLIDER

DATE 10-21-06	DWG NO. C-4	REV
SCALE 1/2	STATUS FINAL	