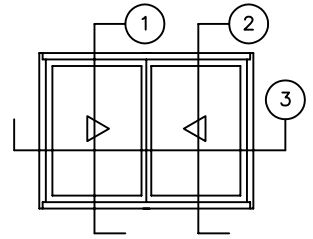
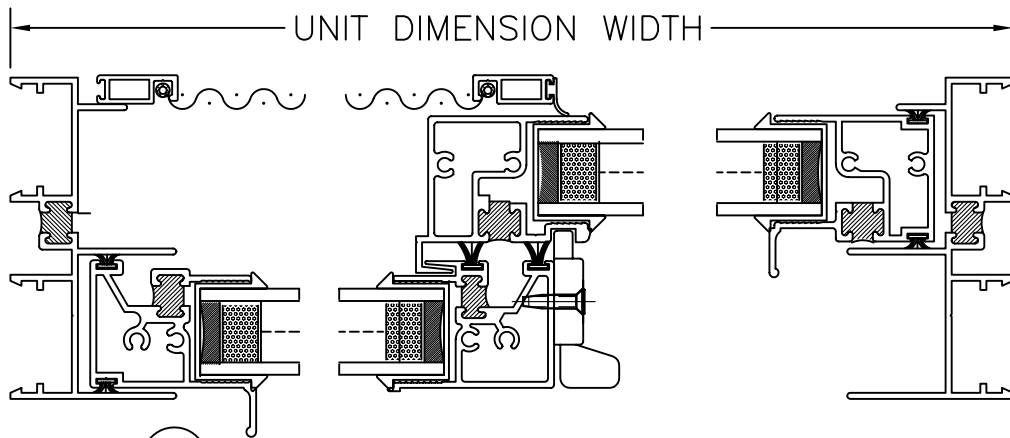
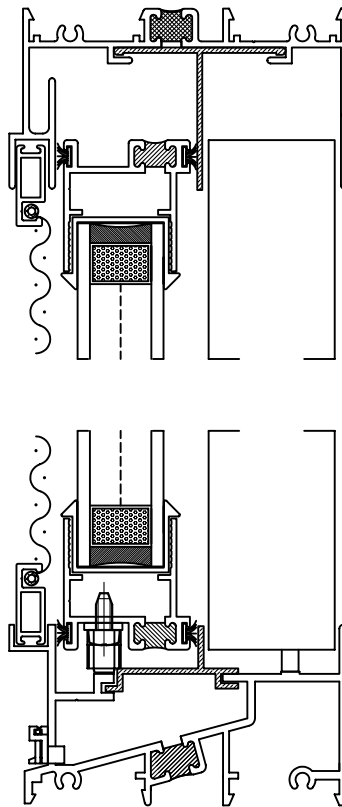
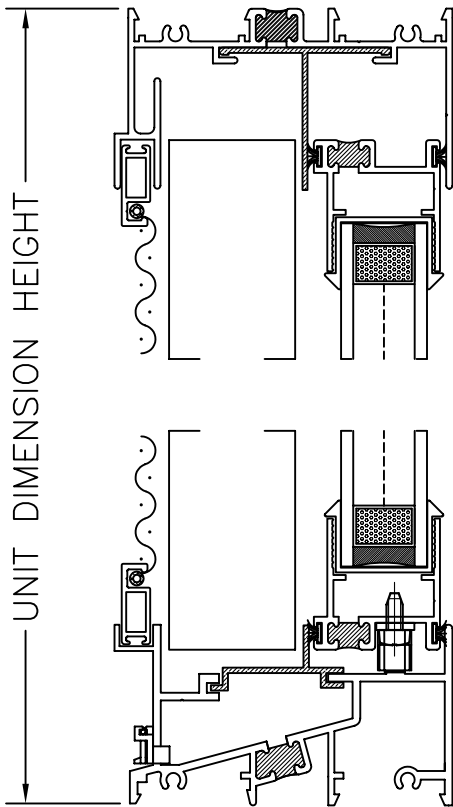


SLIDER WINDOW 8300 VIEW KEY



3 SLIDER WINDOW
@ HORIZONTAL SECTION



1 SLIDER WINDOW
@ VERTICAL SECTION

2 SLIDER WINDOW
@ VERTICAL SECTION

COPYRIGHT 2003



DRAWING FOR FAMILIARIZATION ONLY, ACTUAL DETAIL MAY VARY

SLIDER WINDOW AT TWO LIGHT

DATE	DWG NO.	REV
10-21-06	C-1	A
SCALE 1/2	STATUS FINAL	