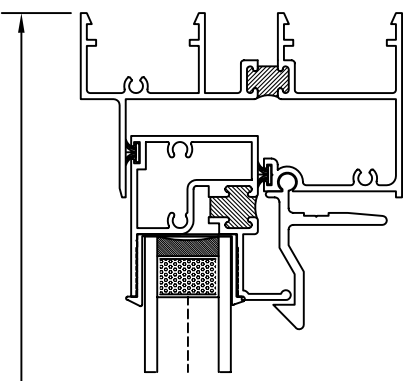
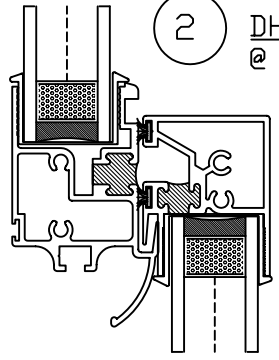


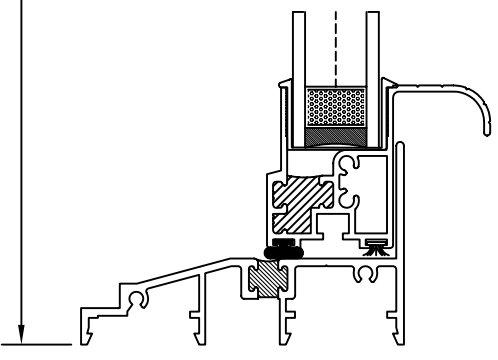
1 DH SERIES 8100 @ HEAD



2 DH SERIES 8100 @ MEETING RAIL

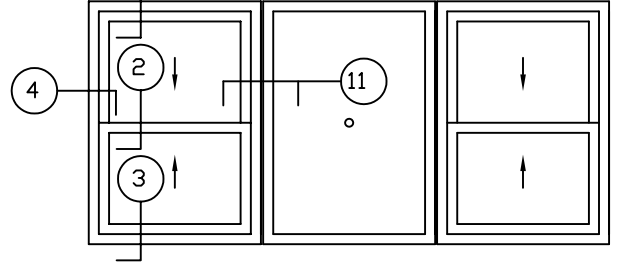


3 DH SERIES 8100 @ SILL

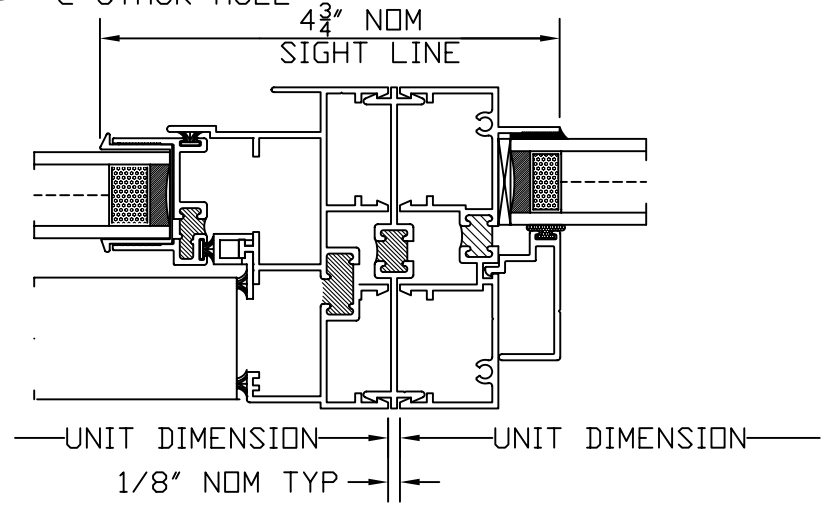


UNIT DIMENSION

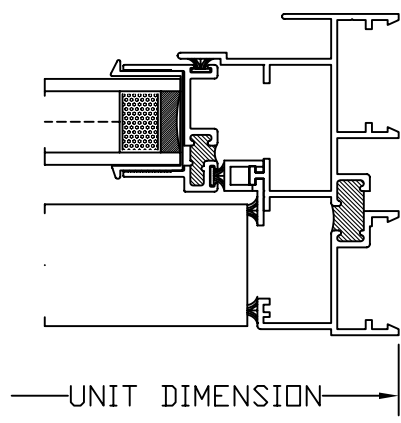
1 5 DH SERIES 8100 VIEW OPTION KEY



11 DH TO FIXED SERIES 8100 @ STACK MULL



4 DH SERIES 8100 @ JAMB



NOTES:
 1. SCREEN OMITTED FOR CLARITY
 2. HARDWARE OMITTED FOR CLARITY

DOUBLE HUNG TO FIXED AT VERTICAL STACK MULL		
DATE 01-08-07	DWG NO. E-3	REV A
SCALE 1/2	STATUS FINAL	



DRAWING FOR FAMILIARIZATION ONLY, ACTUAL DETAIL MAY VARY