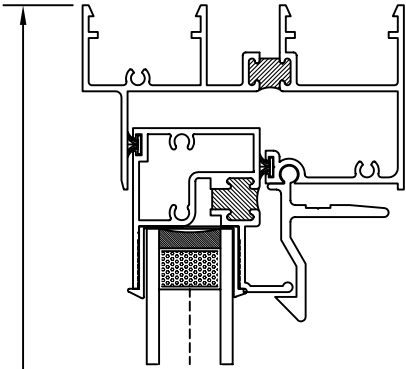


DH SERIES 8100 VIEW KEY

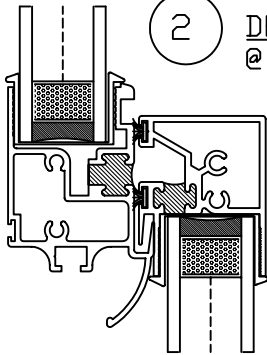
1 5
OPTION

1 DH SERIES 8100 @ HEAD

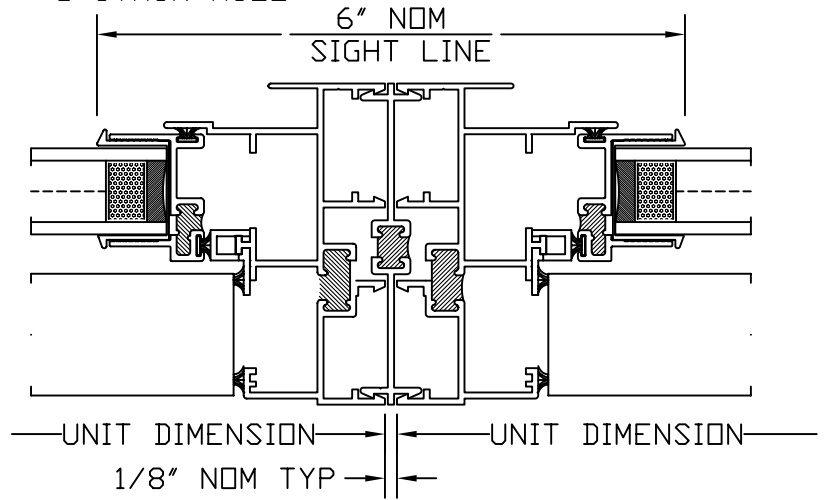


UNIT DIMENSION

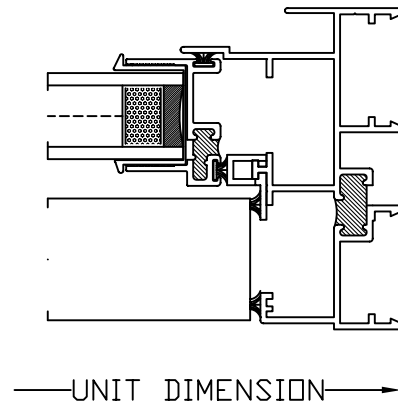
2 DH SERIES 8100 @ MEETING RAIL



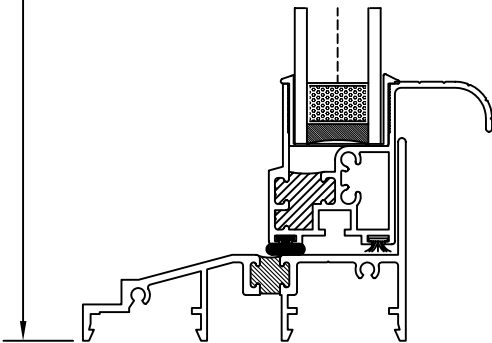
6 DH SERIES 8100 @ STACK MULL



4 DH SERIES 8100 @ JAMB



3 DH SERIES 8100 @ SILL



NOTES:

- 1. SCREEN OMITTED FOR CLARITY
- 2. HARDWARE OMITTED FOR CLARITY

DOUBLE HUNG AT VERTICAL STACK MULL

DATE 01-08-07	DWG NO. E-2	REV A
SCALE 1/2	STATUS FINAL	



DRAWING FOR FAMILIARIZATION ONLY, ACTUAL DETAIL MAY VARY