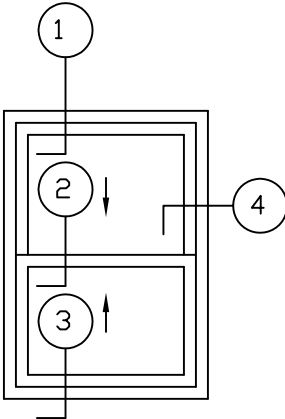
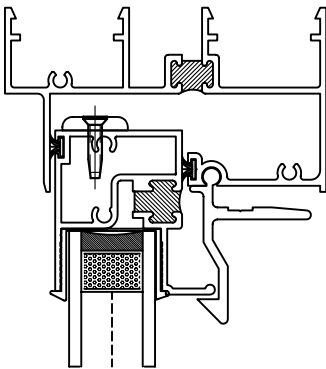
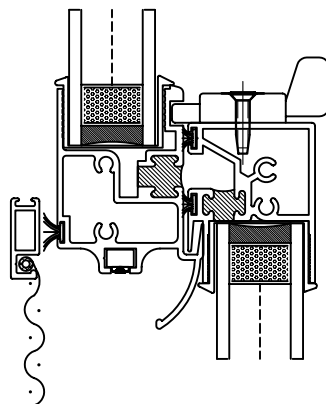


DH SERIES 8100 VIEW KEY

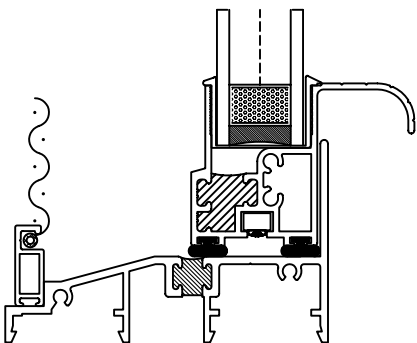
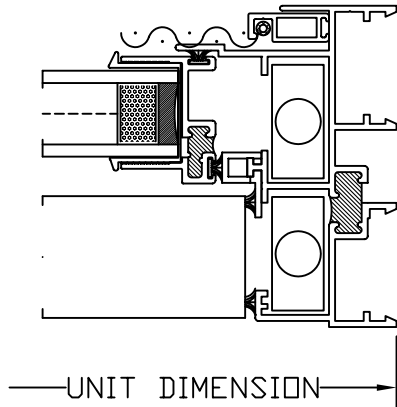
1 DH SERIES 8100  
@ HEAD



2 DH SERIES 8100  
@ MEETING RAIL



4 DH SERIES 8100  
@ JAMB



3 DH SERIES 8100  
@ SILL

—UNIT DIMENSION—

8000 DOUBLE HUNG

DATE 01-08-07	DWG NO. E-1	REV A
SCALE 1/2	STATUS FINAL	



DRAWING FOR FAMILIARIZATION ONLY, ACTUAL DETAIL MAY VARY